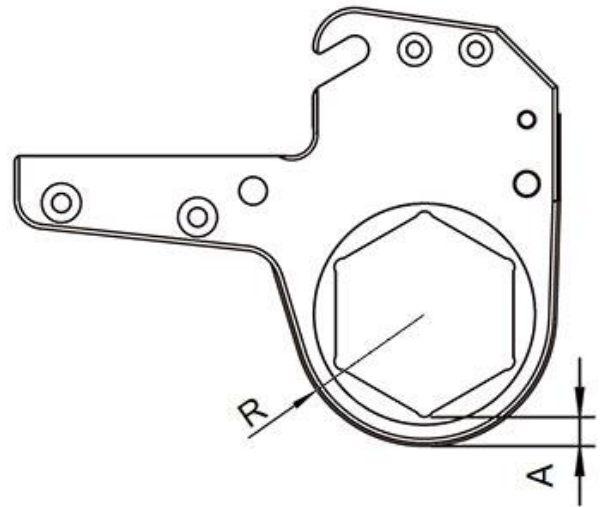
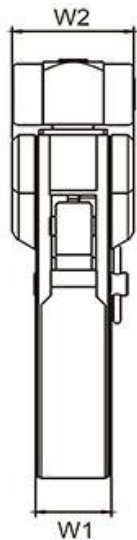
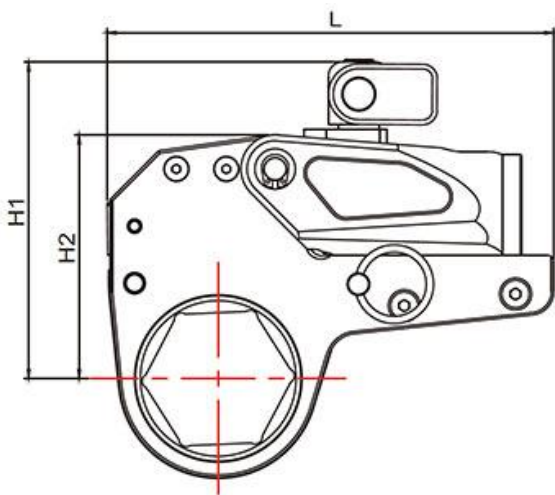


## ТЕХНИЧЕСКИЕ ХАРАКТЕРИСТИКИ ГАЙКОВЕРТОВ

| Модель     | Крутящий момент, Нм |       | Вес привода, кг | Вес кассеты, кг | Размеры, мм |       |       |    |    |                   |      |       |     |     |     |     |       |    |    |     |    |    |
|------------|---------------------|-------|-----------------|-----------------|-------------|-------|-------|----|----|-------------------|------|-------|-----|-----|-----|-----|-------|----|----|-----|----|----|
|            | min                 | max   |                 |                 | L           | H1    | H2    | W1 | W2 | Кассета под гайку | R    | A     |     |     |     |     |       |    |    |     |    |    |
| ГГМК-2400  | 232                 | 2328  | 1               | 1,6             | 196,4       | 125,9 | 102,3 | 32 | 51 | 19                | 27   | 16    |     |     |     |     |       |    |    |     |    |    |
|            |                     |       |                 |                 |             |       |       |    |    | 22                | 27   | 14    |     |     |     |     |       |    |    |     |    |    |
|            |                     |       |                 |                 |             |       |       |    |    | 27                | 27   | 11    |     |     |     |     |       |    |    |     |    |    |
|            |                     |       |                 |                 |             |       |       |    |    | 30                | 29   | 12    |     |     |     |     |       |    |    |     |    |    |
|            |                     |       |                 |                 |             |       |       |    |    | 32                | 29   | 11    |     |     |     |     |       |    |    |     |    |    |
|            |                     |       |                 |                 |             |       |       |    |    | 34                | 31   | 11    |     |     |     |     |       |    |    |     |    |    |
|            |                     |       |                 |                 |             |       |       |    |    | 36                | 31   | 10    |     |     |     |     |       |    |    |     |    |    |
|            |                     |       |                 |                 |             |       |       |    |    | 41                | 34   | 10    |     |     |     |     |       |    |    |     |    |    |
|            |                     |       |                 |                 |             |       |       |    |    | 46                | 37   | 10    |     |     |     |     |       |    |    |     |    |    |
|            |                     |       |                 |                 |             |       |       |    |    | 50                | 40   | 11    |     |     |     |     |       |    |    |     |    |    |
| 55         | 43                  | 11    |                 |                 |             |       |       |    |    |                   |      |       |     |     |     |     |       |    |    |     |    |    |
|            | 241                 | 2414  | 1               | 1,7             | 196,4       | 128,5 | 105   | 32 | 51 | 60                | 46   | 11    |     |     |     |     |       |    |    |     |    |    |
| ГГМК-6500  | 585                 | 5858  | 2               | 4,4             | 245         | 177   | 135,7 | 42 | 66 | 34                | 36   | 16    |     |     |     |     |       |    |    |     |    |    |
|            |                     |       |                 |                 |             |       |       |    |    | 36                | 36   | 15    |     |     |     |     |       |    |    |     |    |    |
|            |                     |       |                 |                 |             |       |       |    |    | 41                | 39   | 15    |     |     |     |     |       |    |    |     |    |    |
|            |                     |       |                 |                 |             |       |       |    |    | 46                | 42   | 15    |     |     |     |     |       |    |    |     |    |    |
|            |                     |       |                 |                 |             |       |       |    |    | 50                | 44   | 15    |     |     |     |     |       |    |    |     |    |    |
|            |                     |       |                 |                 |             |       |       |    |    | 55                | 46   | 14    |     |     |     |     |       |    |    |     |    |    |
|            |                     |       |                 |                 |             |       |       |    |    | 60                | 50   | 15    |     |     |     |     |       |    |    |     |    |    |
|            |                     |       |                 |                 |             |       |       |    |    | 65                | 53   | 15    |     |     |     |     |       |    |    |     |    |    |
|            |                     |       |                 |                 |             |       |       |    |    |                   | 647  | 6474  | 2   | 4,6 | 246 | 187 | 145,7 | 42 | 66 | 70  | 56 | 15 |
|            |                     |       |                 |                 |             |       |       |    |    |                   |      |       |     |     |     |     |       |    |    | 75  | 59 | 15 |
|            |                     |       |                 |                 |             |       |       |    |    | 80                | 61   | 15    |     |     |     |     |       |    |    |     |    |    |
| ГГМК-11800 | 1094                | 10941 | 3,3             | 8               | 300         | 207   | 169   | 53 | 83 | 41                | 46   | 22    |     |     |     |     |       |    |    |     |    |    |
|            |                     |       |                 |                 |             |       |       |    |    | 46                | 46   | 19    |     |     |     |     |       |    |    |     |    |    |
|            |                     |       |                 |                 |             |       |       |    |    | 50                | 46   | 17    |     |     |     |     |       |    |    |     |    |    |
|            |                     |       |                 |                 |             |       |       |    |    | 55                | 50   | 18    |     |     |     |     |       |    |    |     |    |    |
|            |                     |       |                 |                 |             |       |       |    |    | 60                | 52   | 17    |     |     |     |     |       |    |    |     |    |    |
|            |                     |       |                 |                 |             |       |       |    |    | 65                | 55   | 17    |     |     |     |     |       |    |    |     |    |    |
|            |                     |       |                 |                 |             |       |       |    |    | 70                | 58   | 17    |     |     |     |     |       |    |    |     |    |    |
|            |                     |       |                 |                 |             |       |       |    |    | 75                | 60   | 17    |     |     |     |     |       |    |    |     |    |    |
|            |                     |       |                 |                 |             |       |       |    |    | 80                | 63   | 16    |     |     |     |     |       |    |    |     |    |    |
|            |                     |       |                 |                 |             |       |       |    |    | 85                | 66   | 16    |     |     |     |     |       |    |    |     |    |    |
|            |                     |       |                 |                 |             |       |       |    |    | 90                | 69   | 17    |     |     |     |     |       |    |    |     |    |    |
|            |                     |       |                 |                 |             |       |       |    |    | 95                | 71   | 16    |     |     |     |     |       |    |    |     |    |    |
|            |                     |       |                 |                 |             |       |       |    |    |                   | 1177 | 11774 | 3,3 | 8,4 | 301 | 216 | 178   | 53 | 83 | 100 | 75 | 17 |
|            |                     |       |                 |                 |             |       |       |    |    | 105               | 78   | 17    |     |     |     |     |       |    |    |     |    |    |



## Зависимость крутящего момента от давления

| Модель         | ГГМК-2400             |      | ГГМК-6500 |       | ГГМК-11800 |         |
|----------------|-----------------------|------|-----------|-------|------------|---------|
|                | 19-55                 | 60   | 34-65     | 70-80 | 41-95      | 100-105 |
| Гайка (мм)     |                       |      |           |       |            |         |
| Давление (МПа) | Крутящий момент (Н·м) |      |           |       |            |         |
| 7              | 232                   | 241  | 585       | 647   | 1094       | 1177    |
| 8              | 265                   | 275  | 669       | 739   | 1250       | 1345    |
| 9              | 299                   | 310  | 752       | 832   | 1407       | 1513    |
| 10             | 332                   | 344  | 836       | 924   | 1563       | 1682    |
| 11             | 365                   | 379  | 920       | 1017  | 1719       | 1850    |
| 12             | 398                   | 413  | 1003      | 1109  | 1876       | 2018    |
| 13             | 432                   | 448  | 1087      | 1202  | 2032       | 2186    |
| 14             | 465                   | 482  | 1171      | 1294  | 2188       | 2354    |
| 15             | 498                   | 517  | 1255      | 1387  | 2344       | 2523    |
| 16             | 531                   | 551  | 1338      | 1479  | 2501       | 2691    |
| 17             | 565                   | 586  | 1422      | 1572  | 2657       | 2859    |
| 18             | 598                   | 620  | 1506      | 1664  | 2813       | 3027    |
| 19             | 631                   | 655  | 1589      | 1757  | 2970       | 3195    |
| 20             | 665                   | 689  | 1673      | 1849  | 3126       | 3364    |
| 21             | 698                   | 724  | 1757      | 1942  | 3282       | 3532    |
| 22             | 731                   | 758  | 1840      | 2034  | 3439       | 3700    |
| 23             | 764                   | 793  | 1924      | 2127  | 3595       | 3868    |
| 24             | 798                   | 827  | 2008      | 2219  | 3751       | 4037    |
| 25             | 831                   | 862  | 2092      | 2312  | 3908       | 4205    |
| 26             | 864                   | 896  | 2175      | 2404  | 4064       | 4373    |
| 27             | 897                   | 931  | 2259      | 2497  | 4220       | 4541    |
| 28             | 931                   | 965  | 2343      | 2589  | 4377       | 4709    |
| 29             | 964                   | 1000 | 2426      | 2682  | 4533       | 4878    |
| 30             | 997                   | 1034 | 2510      | 2774  | 4689       | 5046    |
| 31             | 1030                  | 1069 | 2594      | 2867  | 4845       | 5214    |
| 32             | 1064                  | 1103 | 2677      | 2959  | 5002       | 5382    |
| 33             | 1097                  | 1138 | 2761      | 3052  | 5158       | 5550    |
| 34             | 1130                  | 1172 | 2845      | 3144  | 5314       | 5719    |
| 35             | 1164                  | 1207 | 2929      | 3237  | 5470       | 5887    |
| 36             | 1197                  | 1241 | 3012      | 3329  | 5627       | 6055    |
| 37             | 1230                  | 1276 | 3096      | 3422  | 5783       | 6223    |
| 38             | 1263                  | 1310 | 3180      | 3514  | 5939       | 6391    |
| 39             | 1297                  | 1345 | 3263      | 3607  | 6096       | 6560    |
| 40             | 1330                  | 1379 | 3347      | 3699  | 6252       | 6728    |
| 41             | 1363                  | 1414 | 3431      | 3792  | 6408       | 6896    |
| 42             | 1396                  | 1448 | 3514      | 3884  | 6565       | 7064    |
| 43             | 1430                  | 1483 | 3598      | 3977  | 6721       | 7232    |
| 44             | 1463                  | 1517 | 3682      | 4069  | 6877       | 7401    |
| 45             | 1496                  | 1552 | 3766      | 4162  | 7033       | 7569    |
| 46             | 1530                  | 1586 | 3849      | 4254  | 7190       | 7737    |
| 47             | 1563                  | 1621 | 3933      | 4347  | 7346       | 7905    |
| 48             | 1596                  | 1655 | 4017      | 4439  | 7502       | 8073    |
| 49             | 1629                  | 1690 | 4100      | 4532  | 7659       | 8242    |
| 50             | 1663                  | 1724 | 4184      | 4624  | 7815       | 8410    |
| 51             | 1696                  | 1759 | 4268      | 4717  | 7971       | 8578    |
| 52             | 1729                  | 1793 | 4351      | 4809  | 8128       | 8746    |
| 53             | 1762                  | 1828 | 4435      | 4902  | 8284       | 8914    |
| 54             | 1796                  | 1862 | 4519      | 4994  | 8440       | 9083    |
| 55             | 1829                  | 1897 | 4603      | 5087  | 8596       | 9251    |
| 56             | 1862                  | 1931 | 4686      | 5179  | 8753       | 9419    |
| 57             | 1895                  | 1966 | 4770      | 5272  | 8909       | 9587    |
| 58             | 1929                  | 2000 | 4854      | 5364  | 9065       | 9756    |
| 59             | 1962                  | 2035 | 4937      | 5457  | 9222       | 9924    |
| 60             | 1995                  | 2069 | 5021      | 5549  | 9378       | 10092   |
| 61             | 2029                  | 2104 | 5105      | 5642  | 9534       | 10260   |
| 62             | 2062                  | 2138 | 5188      | 5734  | 9691       | 10428   |
| 63             | 2095                  | 2173 | 5272      | 5827  | 9847       | 10597   |
| 64             | 2128                  | 2207 | 5356      | 5919  | 10003      | 10765   |
| 65             | 2162                  | 2242 | 5440      | 6012  | 10159      | 10933   |
| 66             | 2195                  | 2276 | 5523      | 6104  | 10316      | 11101   |
| 67             | 2228                  | 2311 | 5607      | 6197  | 10472      | 11269   |
| 68             | 2261                  | 2345 | 5691      | 6289  | 10628      | 11438   |
| 69             | 2295                  | 2380 | 5774      | 6382  | 10785      | 11606   |
| 70             | 2328                  | 2414 | 5858      | 6474  | 10941      | 11774   |